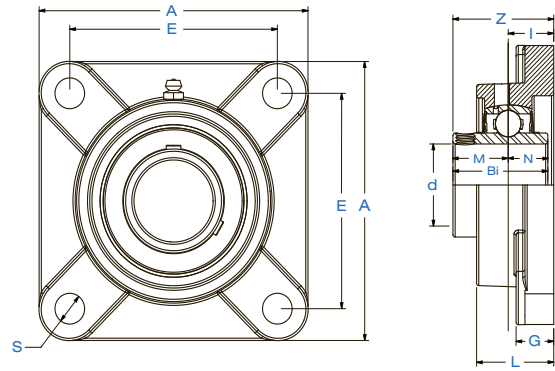




# SUCSFM 200

Normal-Duty 4-Bolt Flange Block  
Setcrew Lock



Seal  
Styles



Standard Seal  
with Flinger



Triple-Lip  
L3 Seal

Bearing Number	Shaft Dia.	Dimensions in. mm.										Bolt Used	Load Rating lbs. kN.		Bearing Insert	Housing Number	Wt. lbs. kg.	
	d in. mm.	A	E	I	G	L	S	Z	Bi	N	M		in. mm.	Dynamic Cr				Static Cor
SUCSFM 201	12																	
SUCSFM 201-8	1/2																	
SUCSFM 202	15																	
SUCSFM 202-10	5/8	3.38	2.500	0.59	0.47	1.00	0.47	1.31	1.2205	0.5000	0.7205	3/8	2,331	1,142				
SUCSFM 203	17	86.0	64.0	15.0	12.0	25.5	12.0	33.3	31.0	12.7	18.3	M10	10.37	5.08				
SUCSFM 204-12	3/4																	
SUCSFM 204	20																	
SUCSFM 205-14	7/8																	
SUCSFM 205-15	15/16	3.75	2.750	0.63	0.55	1.06	0.47	1.41	1.3425	0.5630	0.7795	7/16	2,542	1,349				
SUCSFM 205	25	95.0	70.0	16.0	14.0	27.0	12.0	35.8	34.1	14.3	19.8	M10	11.31	6.00				
SUCSFM 205-16	1																	
SUCSFM 206-17	1 1/16																	
SUCSFM 206-18	1 1/8																	
SUCSFM 206	30	4.25	3.250	0.71	0.55	1.22	0.47	1.58	1.5000	0.6260	0.8740	7/16	3,554	1,942				
SUCSFM 206-19	1 3/16	108.0	83.0	18.0	14.0	31.0	12.0	40.2	38.1	15.9	22.2	M10	15.81	8.64				
SUCSFM 206-20	1 1/4																	
SUCSFM 207-20	1 1/4																	
SUCSFM 207-21	1 5/16																	
SUCSFM 207-22	1 3/8	4.56	3.625	0.75	0.63	1.34	0.55	1.75	1.6890	0.6890	1.0000	1/2	4,683	2,626				
SUCSFM 207	35	116.0	92.0	19.0	16.0	34.0	14.0	44.4	42.9	17.5	25.4	M12	20.83	11.68				
SUCSFM 207-23	1 7/16																	
SUCSFM 208-24	1 1/2																	
SUCSFM 208-25	1 9/16																	
SUCSFM 208	40	5.13	4.000	0.83	0.63	1.42	0.63	2.02	1.9370	0.7480	1.1890	9/16	5,294	3,057				
SUCSFM 208-26	1 5/8	130.0	102.0	21.0	16.0	36.0	16.0	51.2	49.2	19.0	30.2	M14	23.55	13.60				
SUCSFM 209-26	1 5/8																	
SUCSFM 209-27	1 11/16	5.38	4.125	0.87	0.71	1.50	0.63	2.06	1.9370	0.7480	1.1890	9/16	5,923	3,507				
SUCSFM 209-28	1 3/4	136.5	105.0	22.0	18.0	38.0	16.0	52.2	49.2	19.0	30.2	M14	26.35	15.60				
SUCSFM 209	45																	
SUCSFM 210-30	1 7/8																	
SUCSFM 210-31	1 15/16	5.63	4.375	0.87	0.71	1.57	0.63	2.15	2.0315	0.7480	1.2835	9/16	6,402	4,046				
SUCSFM 210	50	143.0	111.0	22.0	18.0	40.0	16.0	54.6	51.6	19.0	32.6	M14	28.48	18.00				
SUCSFM 210-32	2																	
SUCSFM 211-32	2																	
SUCSFM 211-34	2 1/8	6.38	5.125	0.98	0.79	1.69	0.75	2.31	2.1890	0.8740	1.3150	5/8	7,931	5,036				
SUCSFM 211	55	162.0	130.0	25.0	20.0	43.0	19.0	58.4	55.6	22.2	33.4	M16	35.28	22.40				
SUCSFM 211-35	2 3/16																	
SUCSFM 212-36	2 1/4																	
SUCSFM 212	60	6.88	5.625	1.13	0.79	1.89	0.75	2.71	2.5630	1.0000	1.5630	5/8	9,554	5,921				
SUCSFM 212-38	2 3/8	175.0	143.0	29.0	20.0	48.0	19.0	68.7	65.1	25.4	39.7	M16	42.50	26.34				
SUCSFM 212-39	2 7/16																	

**MARINER®**